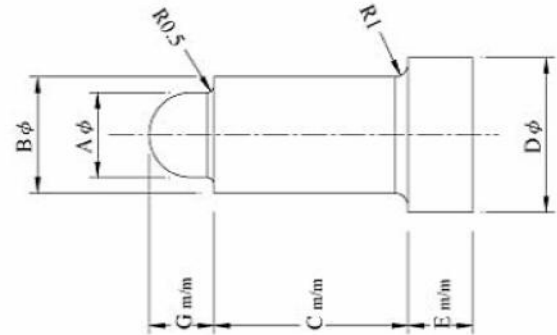


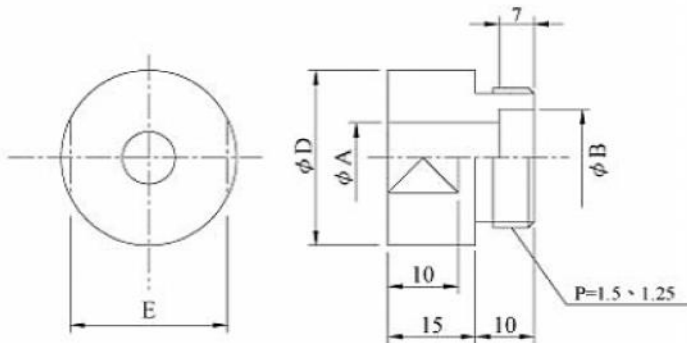


### 瓷頭 Ceramic Guide Pin



單位:mm

| NUT | Code No. | øA  | øB   | C    | øD   | E   | G   |
|-----|----------|-----|------|------|------|-----|-----|
| M4  | K-No.328 | 3.2 | 5.9  | 15.0 | 8.3  | 5.0 | 3.5 |
| M5  | K-No.2   | 4.1 | 6.1  | 15.0 | 10.0 | 5.0 | 4.0 |
| M6  | K-No.3   | 4.8 | 6.9  | 15.0 | 10.0 | 5.0 | 4.5 |
| M8  | K-No.9   | 6.6 | 9.0  | 15.0 | 12.0 | 5.0 | 5.0 |
| M10 | K-No.29  | 8.6 | 11.2 | 15.0 | 14.0 | 5.0 | 8.0 |
| M12 | K-No.86  | 9.6 | 12.9 | 16.0 | 14.0 | 5.0 | 6.0 |

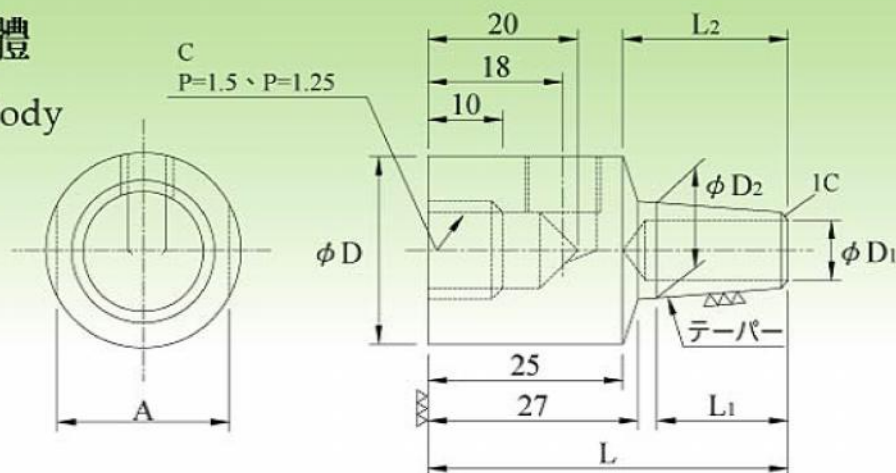


### 螺帽上蓋 (瓷頭用) Nut Electrode Cover

單位:mm

| NUT | Code No. | øA   | øB | C   | øD | スパナ巾 |
|-----|----------|------|----|-----|----|------|
| M4  | W-PN-A4  | 6.0  | 13 | M18 | 25 | 22   |
| M5  | W-PN-A5  | 6.2  | 13 | M18 | 25 | 22   |
| M6  | W-PN-A6  | 7.0  | 13 | M18 | 25 | 22   |
| M8  | W-PN-A8  | 9.1  | 15 | M18 | 25 | 22   |
| M10 | W-PN-A10 | 11.3 | 17 | M22 | 30 | 27   |
| M12 | W-PN-A12 | 13.0 | 17 | M22 | 30 | 27   |

### 螺帽電極本體 Nut Electrode Body

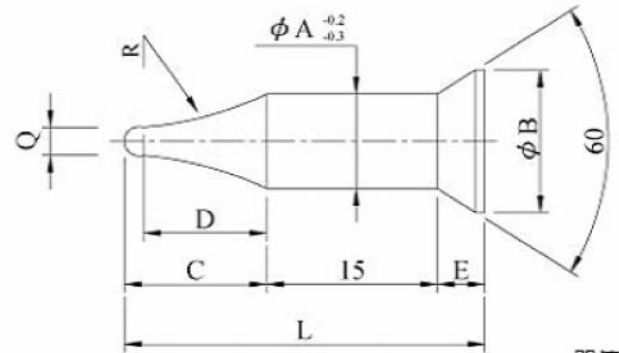


單位:mm

| Code No.  | øD | øD1 | øD2    | Taper | L  | L1 | L2 | A  | C   |
|-----------|----|-----|--------|-------|----|----|----|----|-----|
| W-PN-B1-□ | 25 | 8   | 15.875 | 1/10  | 49 | 20 | 24 | 22 | M18 |
| W-PN-B2-□ | 30 | 8   | 15.875 | 1/10  | 49 | 20 | 24 | 27 | M22 |

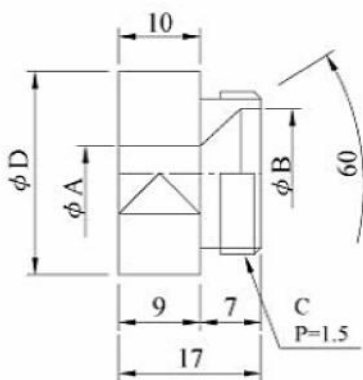


## KCF定位芯 KCF Guide Pin



單位:mm

| NUT | Code No. | $\phi A$ | $\phi B$ | L    | C   | D   | E   |
|-----|----------|----------|----------|------|-----|-----|-----|
| M4  | W-PN-4P  | 4.8      | 12       | 29   | 6.5 | 5.5 | 7.5 |
| M5  | W-PN-5P  | 5.8      | 12       | 30   | 8.5 | 7.5 | 6.5 |
| M6  | W-PN-6P  | 6.8      | 12       | 31.5 | 11  | 9.5 | 5.5 |
| M8  | W-PN-8P  | 8.8      | 12       | 31   | 12  | 11  | 4   |
| M10 | W-PN-10P | 10.8     | 16       | 34.5 | 14  | 12  | 5.5 |
| M12 | W-PN-12P | 12.8     | 16       | 36   | 17  | 15  | 4   |



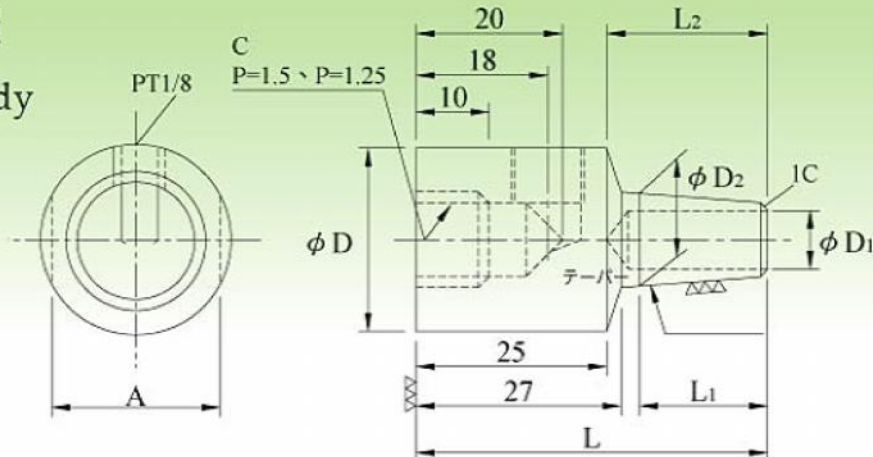
## 螺帽上蓋 (KCF用) Nut Electrode Cover

單位:mm

| NUT | Code No. | $\phi A$ | $\phi B$ | C   | $\phi D$ | スパナ巾 |
|-----|----------|----------|----------|-----|----------|------|
| M4  | W-PN-C4  | 5.1      | 13       | M18 | 25       | 22   |
| M5  | W-PN-C5  | 6.1      | 13       | M18 | 25       | 22   |
| M6  | W-PN-C6  | 7.1      | 13       | M18 | 25       | 22   |
| M8  | W-PN-C8  | 9.1      | 13       | M18 | 25       | 22   |
| M10 | W-PN-C10 | 11.1     | 17       | M22 | 30       | 27   |
| M12 | W-PN-C12 | 13.1     | 17       | M22 | 30       | 27   |

## 螺帽電極本體

## Nut Electrode Body



單位:mm

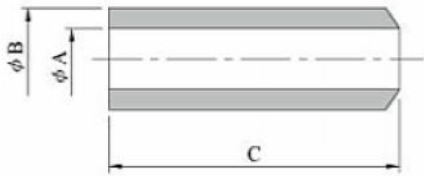
| Code No.  | $\phi D$ | $\phi D_1$ | $\phi D_2$ | Taper | L  | L <sub>1</sub> | L <sub>2</sub> | A  | C   |
|-----------|----------|------------|------------|-------|----|----------------|----------------|----|-----|
| W-PN-B1-□ | 25       | 8          | 15.875     | 1/10  | 49 | 20             | 24             | 22 | M18 |
| W-PN-B2-□ | 30       | 8          | 15.875     | 1/10  | 49 | 20             | 24             | 27 | M22 |

### KCF絕緣套管 Sleeve

● 訂購編號 Code No.

**KCF-B6** 6.2

材質 Material      品名 Sleeve      內徑 Sleeve I. Dia

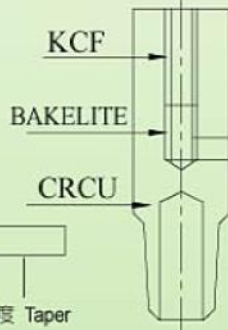
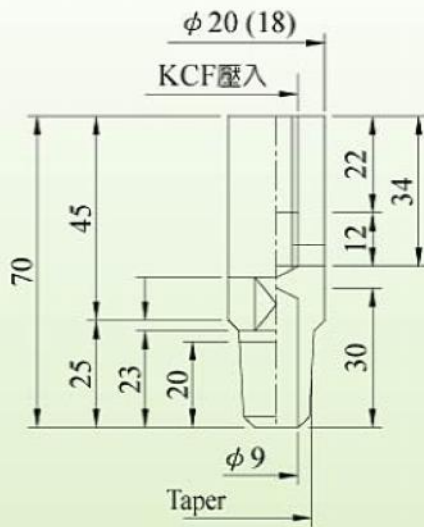


| Code No. | φA   | φB | C    |
|----------|------|----|------|
| KCF-B4   | 4.0  | 4  | 6.1  |
| B5       | 5.0  | 5  | 7.1  |
| B6       | 6.0  | 6  | 8.1  |
| B7       | 7.0  | 7  | 9.1  |
| B8       | 8.0  | 8  | 10.1 |
| B9       | 9.0  | 9  | 11.1 |
| B10      | 10.0 | 10 | 12.1 |
| B11      | 11.0 | 11 | 13.1 |
| B12      | 12.0 | 12 | 14.1 |

| Code No. | φA   | φB   | C    |
|----------|------|------|------|
| KCF-B4   | 4.2  | 4.2  | 6.1  |
| B5       | 5.2  | 5.2  | 7.1  |
| B6       | 6.2  | 6.2  | 8.1  |
| B7       | 7.2  | 7.2  | 9.1  |
| B8       | 8.2  | 8.2  | 10.1 |
| B9       | 9.2  | 9.2  | 11.1 |
| B10      | 10.2 | 10.2 | 12.1 |
| B11      | 11.2 | 11.2 | 13.1 |
| B12      | 12.2 | 12.2 | 14.1 |
| B13      | 13.2 | 13.2 | 15.1 |
| B14      | 14.2 | 14.2 | 16.1 |
| B15      | 15.2 | 15.2 | 17.1 |

### 螺絲電極本體 Bolt Electrode Body

● 一體式



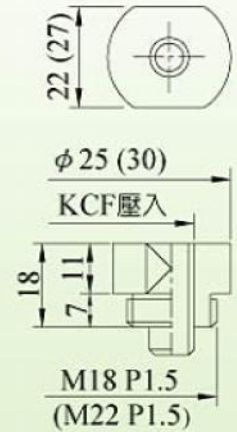
18 B4 4.2 -65-   

外徑 O.Dia      Sleeve ID      錐度 Taper      全長 L

套管 Sleeve

|     |       |     |      |  |
|-----|-------|-----|------|--|
| M4  | 18 B4 | 4.2 | -65- | <span style="border: 1px solid black; padding: 2px;">  </span> |
| M5  | 18 B4 | 4.2 | -65- | <span style="border: 1px solid black; padding: 2px;">  </span> |
| M6  | 18 B4 | 4.2 | -65- | <span style="border: 1px solid black; padding: 2px;">  </span> |
| M8  | 18 B4 | 4.2 | -65- | <span style="border: 1px solid black; padding: 2px;">  </span> |
| M10 | 18 B4 | 4.2 | -65- | <span style="border: 1px solid black; padding: 2px;">  </span> |
| M12 | 18 B4 | 4.2 | -65- | <span style="border: 1px solid black; padding: 2px;">  </span> |

● 分離式



25MB-B4 4.2

電極外徑 O.Dia      Sleeve I. Dia

|     |            |      |
|-----|------------|------|
| M4  | 25MB - B4  | 10.2 |
| M5  | 25MB - B4  | 10.2 |
| M6  | 25MB - B4  | 10.2 |
| M8  | 25MB - B4  | 10.2 |
| M10 | 30MB - B10 | 10.2 |
| M12 | 30MB - B12 | 12.2 |