

Electrode tip dresser BFS 3600.037.00A



Standard - Single head tip dresser with junction box

consisting of:

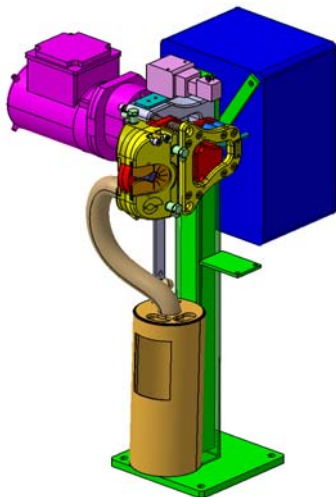
- Milling base unit with vertical height equalization
- Proximity switch for rotation, with connection cable
- Motor 0,75 kW, with terminal box and connection cable
- Junction box - Standard, with double bit lock, colour: RAL 7035
- Solenoid valve (Bräuer-Standard) for swarf blow out, with connection cable
- Swarf lead system with swarf bag
- Stand, height adjustable (without dowel), colour: RAL 9002 (deviating stand colour specify when ordering)

The necessary milling heads need to be ordered separately!

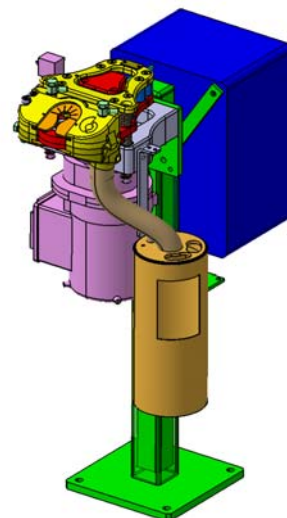
The tip dressers are supplied according to the standard set-up variant **V1**. If you would like to order set-up variant H or V2, please note this when ordering. For set-up variant V2 a vertical angle (see options) needs to be ordered additionally.

Options:

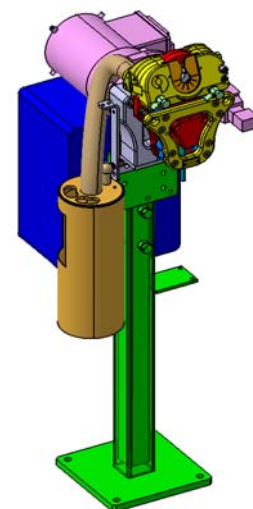
Vertical angle (required for set-up variant V2)
Order-N°: 89040000010012



iii.1 Tip dresser in set-up variant V1 (Standard)



iii.2 Tip dresser in set-up variant H



iii.3 Tip dresser in set-up variant V2

Order example:

F-3600.037.00A
Tip dresser BFS 3600.037.00A / H
Stand: RAL 9010